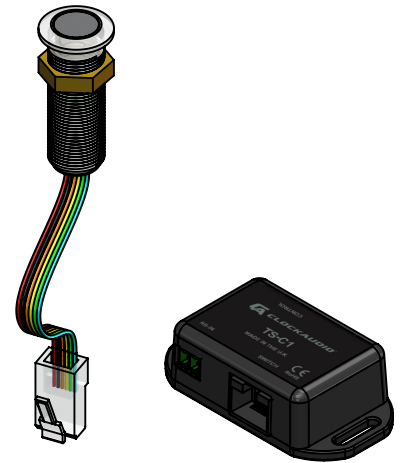
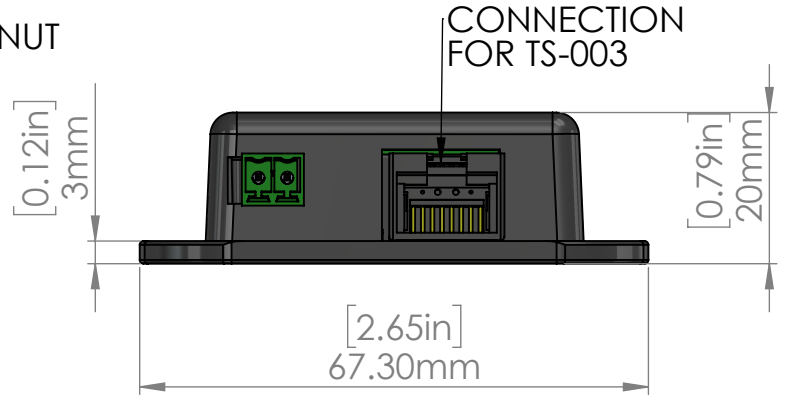
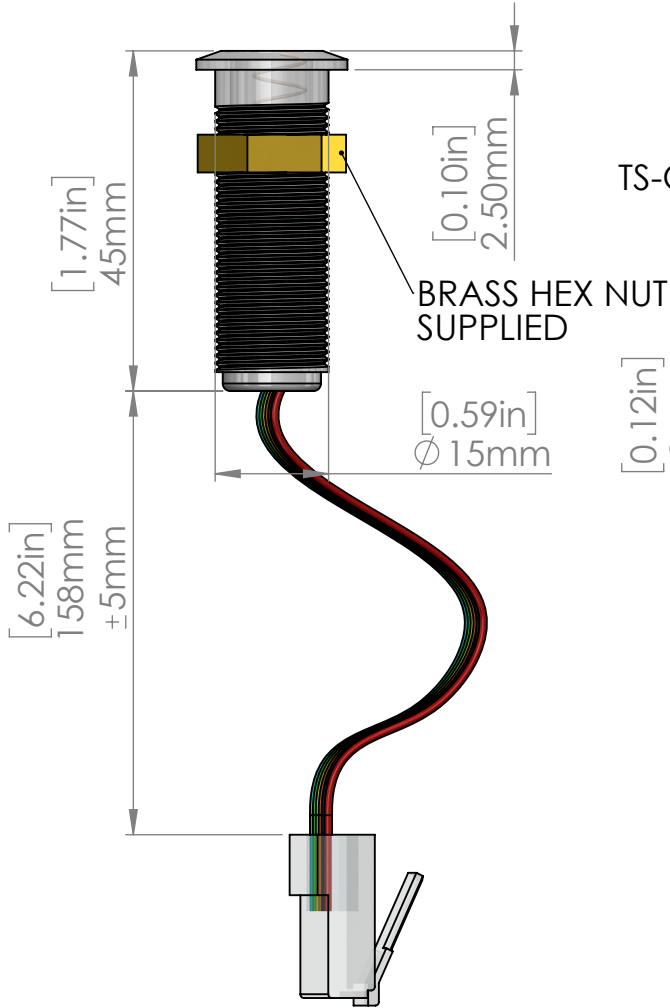


TS-C1 SUPPLIED



PROPRIETARY AND CONFIDENTIAL
THE INFORMATION CONTAINED IN THIS DRAWING IS THE SOLE PROPERTY OF CLOCKAUDIO LTD. ANY REPRODUCTION IN PART OR AS A WHOLE WITHOUT THE WRITTEN PERMISSION OF CLOCKAUDIO LTD IS PROHIBITED.

CLIENT APPROVAL		NAME	DATE
NAME		DRAWN C.BUDGEN	09/07/18
COMPANY		MATERIAL POLYCARBONATE	
DATE		FINISH CLEAR POLYCARBONATE	
SIGNATURE		NOTES:	
COMMENTS:			



TS-003

SIZE A	DWG. NO. 1288	REV. 3
SCALE: 1:2		SHEET 1 OF 1

DO NOT SCALE DRAWING