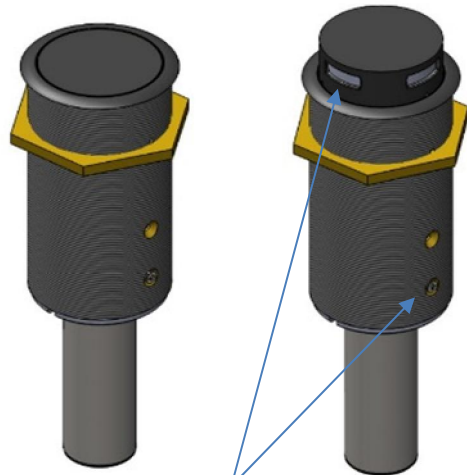


A dual boundary layer through table cardioid condenser microphone, the ARM 202-RF with its built-in motorised mechanism allows users to make the microphone to virtually disappear without having to physically touch or remove it from the table. A positive (+2.5V to +12V) signal applied to the ARM-C control port, simultaneously activates all connected ARM 202-RFs.



Mic a (white cable) is 90 degrees left of screw

- Offers 2 independently wired mics a + b
- Low profile at surface level
- Cardioid polar pattern
- Built in RF filters
- Balanced outputs
- Robust brass construction
- Meets EMC test standards:
Emissions:
EN 55022:2006 inc A1:2007
Immunity:
EN 55024:1998 inc A1:2001 & A2:2003
- Easy to install
- Supplied with 2m (6.6ft) cat 5 cable for motor drive terminated with RJ 45 plug for easy connection to ARM C
- Supplied with 2 x 2m (6.6ft) 2 core + screen open ended cable for audio connection
- Kit includes: ARM 202-RF, anti-vibration washer and M57 fixing nut
- Available in Satin Nickel or Black Nextel finish

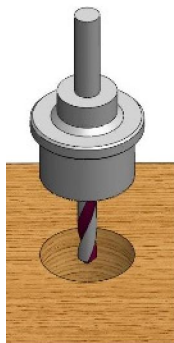


Fig A



Fig B

Installation guide

- 1) Drill a 58mm (2.25") hole through the table. See fig A
- 2) Fit the ARM 202-RF through the 58mm (2.25") hole. See fig B
- 3) Fit washer and nut, tighten to the underside of the table. See fig C
- 4) Audio connections:
 - Independent cables for Mic a (white cable 90deg left of screw) and Mic b (black cable 90deg right of screw)
 - Each cable is 2 core plus screen (Red Phase +, White Phase - while screen is Ground)
- 5) Motor connections - using RJ 45 plug on ARM 202-RF cat 5 cable connect to ARM-C (M1-M4) motor outlet ports
- 6) ARM 202-RF install complete. See fig D
- 7) Install ARM-C as per separate instructions given with the product and power up. A positive +2.5 to 12V signal applied to the ARM-C control port, simultaneously activates all connected ARM 202-RFs

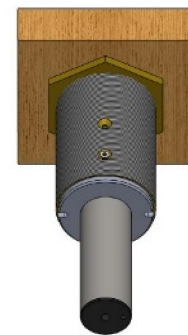


Fig C



Fig D