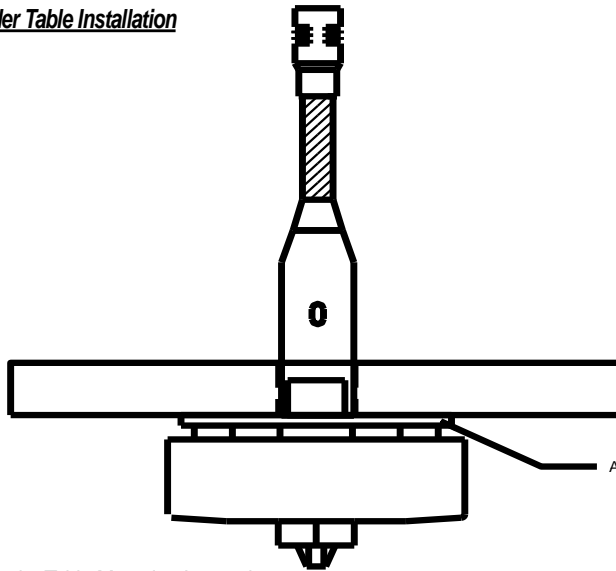
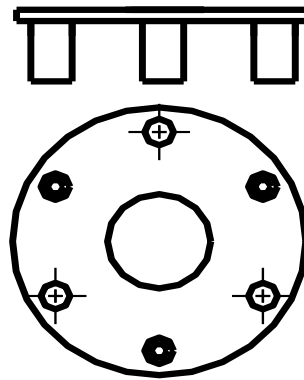
**Under Table Installation**

PART A

**Under Table Mounting Instructions**

- 1) Pre drill a 25.4mm or 1" hole central to the exact location where the SM 75 is to be mounted.
- 2) Take the SM 75 apart by simply unscrewing the 3 screws on top of the main part of the base, so as to leave part A.
- 3) Line up Part A with the pre drill hole centralised and affix the plate to the surface using 3 screws (not supplied).
- 4) Place the main part of the base over Part A and by using the 3 screws previously removed attach to Part A.
- 5) Feed Audio cable through the brass hex nut and mounted SM 75.
- 6a) Unscrew the NC3FX (Female 3pin XLR). For ease of removing microphones once installed remove the Latch from the XLR.
- 6b) Unscrew the NC5FX (Female 5pin XLR). For ease of removing microphones once installed remove the latch from the XLR.
- 7) Solder Audio cable to the XLR for 3 pin versions:
 - Pin 1- Ground
 - Pin 2- Phase + (Hot)
 - Pin 3- Phase - (Cold)
 5 pin versions:
 - Pin 1- Ground
 - Pin 2- LED -
 - Pin 3- Phase - (cold)
 - Pin 4- LED +
 - Pin 5- Phase + (Hot)
- 8) Re-assemble the XLR and push fit onto SM 75 ensure the flat edge of the XLR is lined up with that on the base.
- 9) Screw Hex nut onto the thread of the XLR.
- 10) Plug in Clockaudio Microphone.

CLOCKAUDIO		Issue Number	Drawn By	
Part name SM 75		Scale NOT TO SCALE	Checked by	Drawing Number
			C. B	