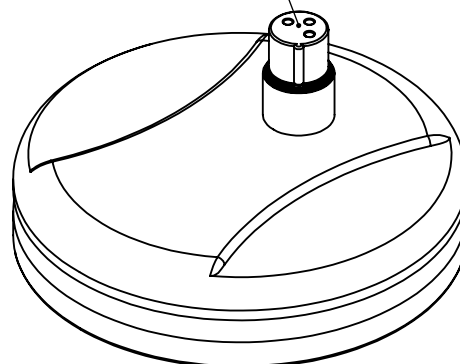


optional 3 or 5 pin XLR



PROPRIETARY AND CONFIDENTIAL
THE INFORMATION CONTAINED IN THIS DRAWING IS THE SOLE PROPERTY OF CLOCKAUDIO LTD. ANY REPRODUCTION IN PART OR AS A WHOLE WITHOUT THE WRITTEN PERMISSION OF CLOCKAUDIO LTD IS PROHIBITED.

CLIENT APPROVAL

NAME	
COMPANY	
DATE	
SIGNATURE	
COMMENTS:	

	NAME	DATE
DRAWN	C.BUDGEN	02/03/12
MATERIAL	Mild steel	
FINISH	Satin black	
NOTES:		
DO NOT SCALE DRAWING		

CLOCKAUDIO

S 120Xv02

SIZE	DWG. NO.	REV.
A	899	
SCALE:1:2	WEIGHT:	SHEET 1 OF 1