

The SEC 09 has been designed for security and surveillance applications. Offering easy mounting to walls or ceilings the SEC 09 has the appearance of an ordinary fire detector. Electronics housed within the SEC 09 offer screw terminals, eliminating the need for connectors.



- Omni-directional.
- Built-in line level pre-amp
- Selectable sensitivity switching
- 9-48V Phantom power switchable for 12-24V dc operation
- Pick up range of 15m (50ft).
- Red LED status indicators
- Sturdy ABS housing.
- Easy to install.
- Universal mounting to electrical conduit boxes

Specifications

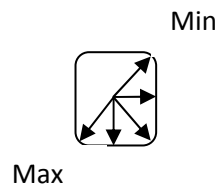
- Frequency response: 50Hz to 12KHz
- Impedance: 75 ohms
- Sensitivity: 1.4V/Pa
- Dimensions:
 - Height: 55 mm (2.16")
 - Diameter: 105 mm (4.13")
 - Weight: 126g (4.44ounces)

Wiring information:

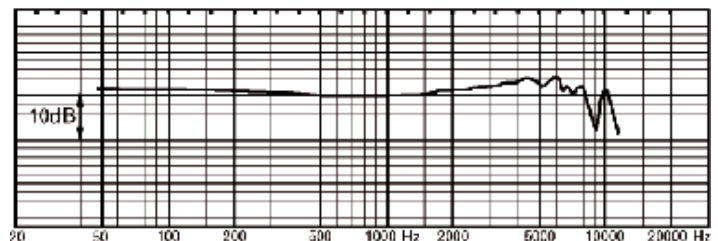
- Input: Pin 1 +24V ac / 12V dc
 Pin 2 Phase +
 Pin 3 Phase -
 Pin 4 GND / -ac/dc

Line level set up:
 Switch pins 7,5,3 to ON

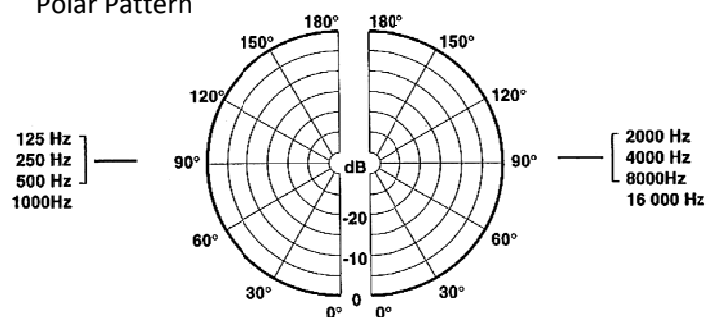
Phantom power set up:
 Switch pins 8,6,4 to ON



Frequency response



Polar Pattern



- 1K gives minimum headroom
- 2K gives approximately 6 dB more headroom
- 3.9K gives approximately 12 dB more headroom
- 18.2K gives approximately 18 dB more headroom
- 100K gives maximum headroom