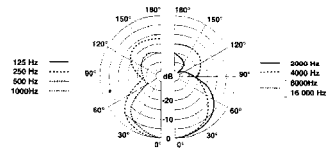
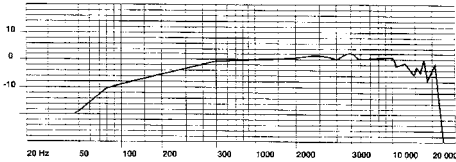


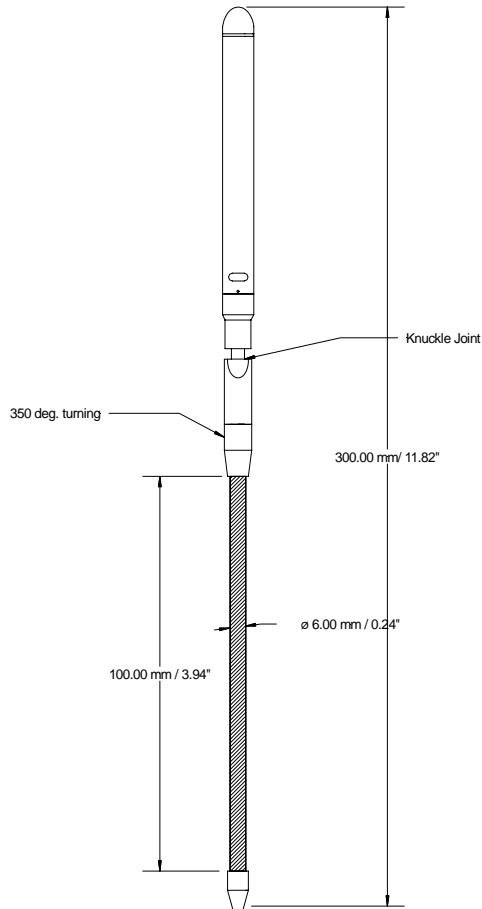
Architect's and Engineers Specifications for C8SCP-RF Hanging Microphone

C8SCP-RF

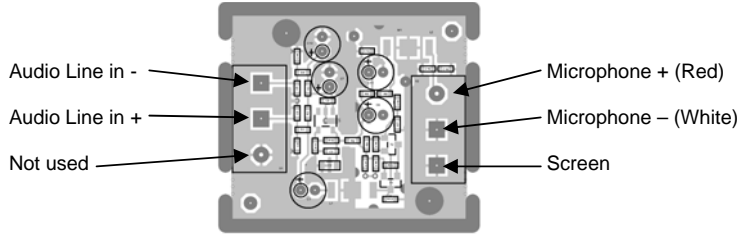
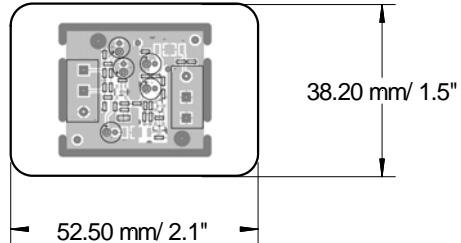
The condenser hanging mini shotgun microphone shall have a hypercardioid polar pattern, be of robust high quality brass construction and slimline design. It will use a miniature flexible gooseneck and knuckle joint configuration, which will allow the microphone head to rotate almost 90 degrees vertically to facilitate optimum positioning. The microphone shall have a combined suspension and signal cable of 25ft(7.5metres). The microphone shall include a ceiling mount plate (Standard North American single gang size), with a screw terminal Phantom Power Adaptor that will accept 9 to 48 volts DC. The in line adaptor shall also include filters which shall eliminate all GSM frequencies from 800-1200 MHz. The microphone Frequency response shall be 50 Hz to 18 KHz; Impedance of 200 Ohms; Sensitivity -47dB ± 3dB @ 1Khz (0dB =1V/Pa); Total Harmonic Distortion (THD) at an operating level of 125dB shall be no greater than 1%. The microphone will have a low reflective Satin Black or White finish and include a W8 Windshield. The microphone shall be a Clockaudio C8SCP-RF (Black) or a C8SCP-RF (White).



C 8S



CPPW01-RF



Ceiling Plate

