

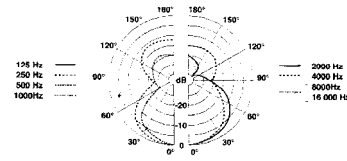
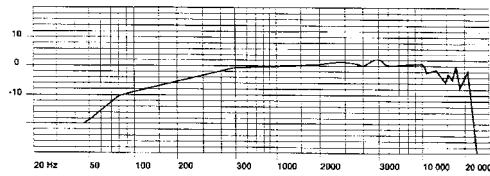
**Architect's and Engineers Specifications for C8SE-RF Hanging Microphone**

**C8SE-RF**

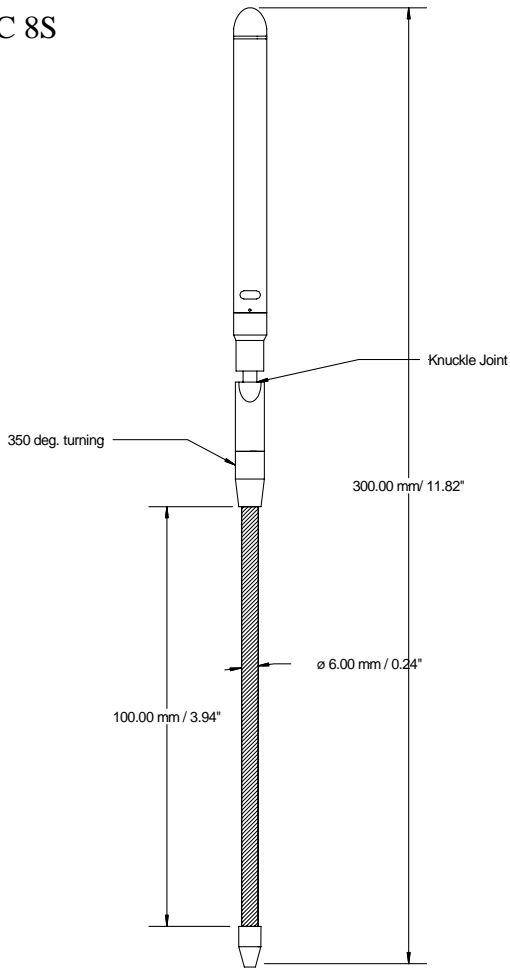
The condenser hanging mini shotgun microphone shall have a hypercardioid polar pattern, be of robust high quality brass construction and slimline design. It will use a miniature flexible gooseneck and knuckle joint configuration, which will allow the microphone head to rotate almost 90 degrees vertically to facilitate optimum positioning. The microphone shall have a combined suspension and signal cable of 25ft(7.5metres). The microphone shall be used with an in line Phantom Power Adaptor accepting 9 to 48 volts DC, terminated in a 3 Pin male XLR. The in line adaptor shall also include filters which shall eliminate all GSM frequencies from 800-1200 MHz. The microphone Frequency response shall be 50 Hz to 18 KHz; Impedance 200 Ohms; Sensitivity -47dB ± 3dB @ 1KHz (0dB=1V/Pa); Total Harmonic Distortion (THD) at an operating level of 125dB shall be no greater than 1%. The microphone will have a low reflective Satin Black or White finish and include a W8 Windshield

Optional extras include: Ceiling mount (CP73); Alternative boxed, screw terminal Phantom Power Adaptor (CPPW01-RF)

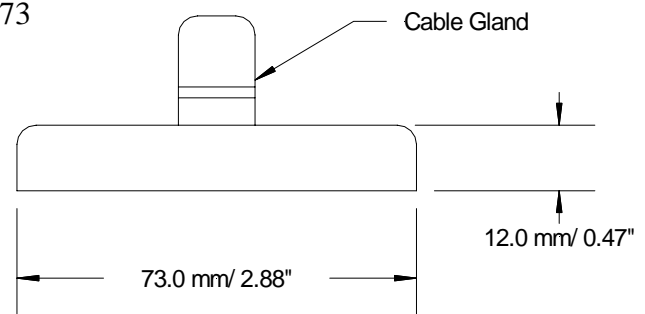
The microphone shall be a Clockaudio C8SE-RF.



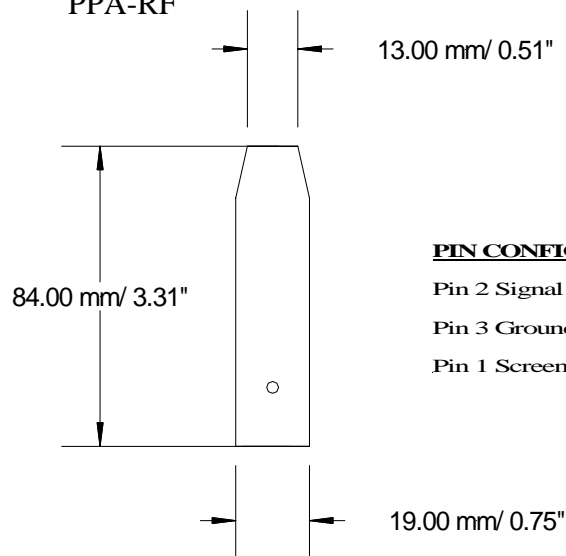
C 8S



CP73



PPA-RF



**PIN CONFIGURATION**

- Pin 2 Signal + ve
- Pin 3 Ground -ve
- Pin 1 Screen