

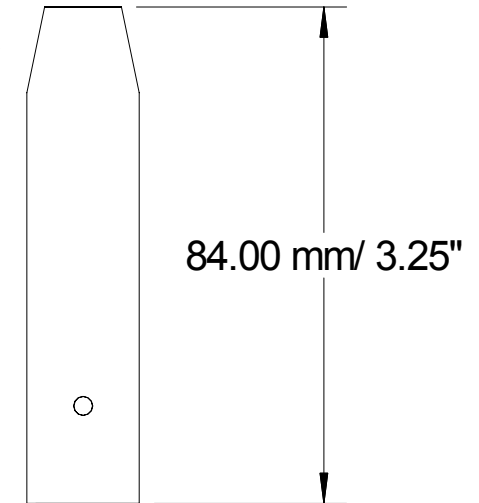
Wiring Configuration For XLR Termination

PIN 1-----Screen

PIN 2-----Phase +

PIN 3-----Phase -

In-line PPA



ISSUE	DESCRIPTION	APP'D	DATE	TITLE	DRAWN	TRACED	CHECKED	APPROVED	DATE
	Low profile Boundary Microphone			C 022E-RF	C B				16/10/08
	RF Friendly				DRAWING No. 569				

