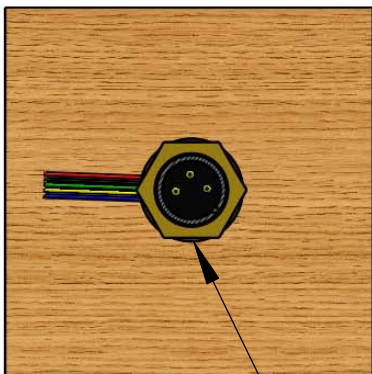
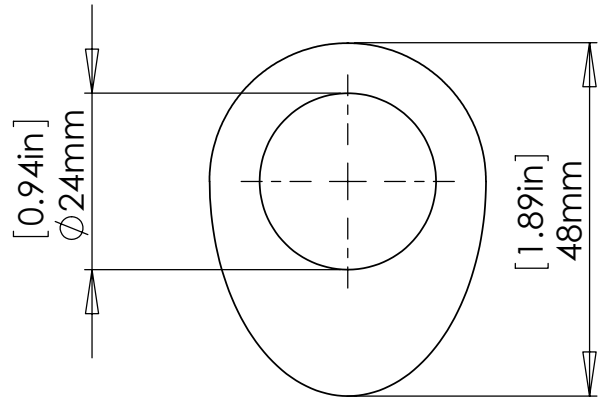
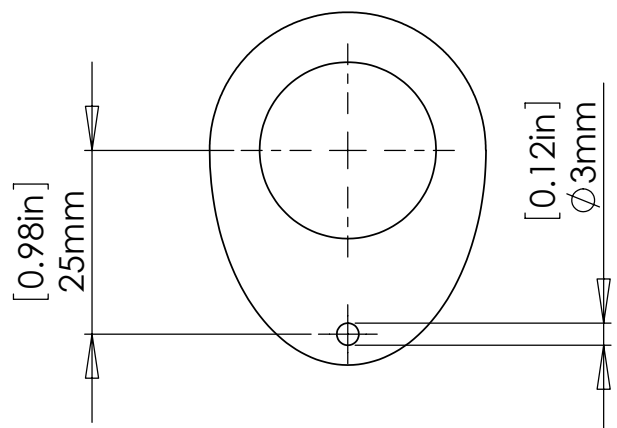


Shown with C 012EN-RF



shock mount supplied with cable cut out slot



CLOCKAUDIO®

CH 32 Line

SIZE	DWG. NO.		
A	664	12/06/09	
NO SCALE			SHEET 1 OF 1

PROPRIETARY AND CONFIDENTIAL

THE INFORMATION CONTAINED IN THIS DRAWING IS THE SOLE PROPERTY OF CLOCKAUDIO LTD. ANY REPRODUCTION IN PART OR AS A WHOLE WITHOUT THE WRITTEN PERMISSION OF CLOCKAUDIO LTD IS PROHIBITED.