

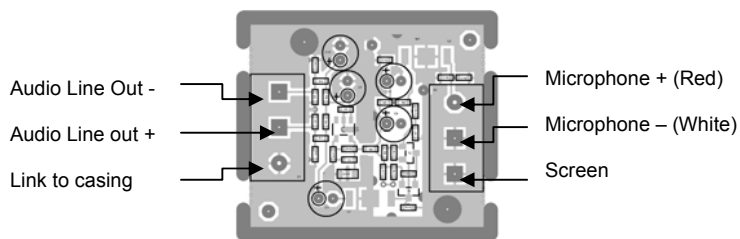
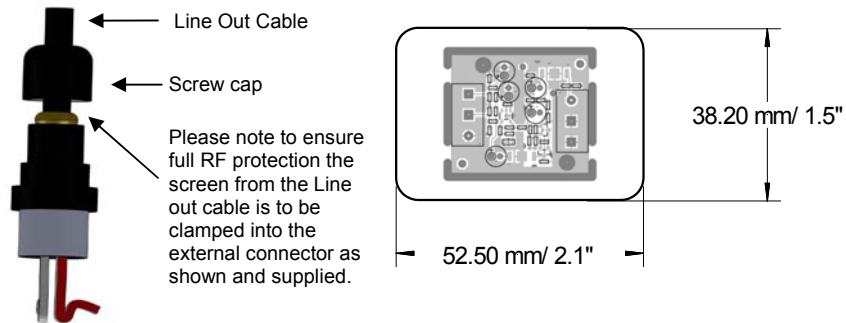
Phantom Power Unit CPPW 01-RF

The CPPW 01-RF is designed to be used as an external source for accepting 9-48 volts Phantom power and drive a constant voltage of 9V dc to electret, condenser or boundary microphones.

Used in conjunction with Clockaudio open ended microphones this unit offers a discrete housing which can be placed either in a ceiling or under a table away from the actual microphone itself.



This product is fully shielded against radio frequency interference (RFI) from GSM devices operating in the 800 to 1200MHz bandwidth.



CLOCKAUDIO LIMITED
 22 Arnside Road, Waterlooille
 PO7 7UP Hampshire. UK
 Tel : +44 (0)2392 251193 Fax : +44 (0)2392 251201
 Email : sales@clockaudio.co.uk

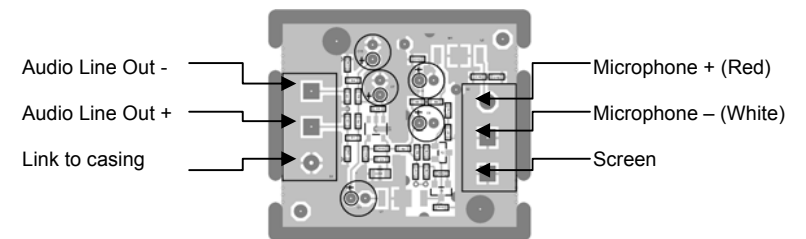
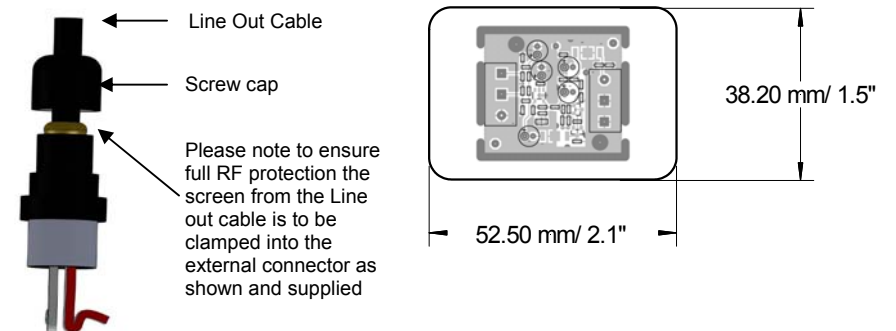
Phantom Power Unit CPPW 01-RF

The CPPW 01-RF is designed to be used as an external source for accepting 9-48 volts Phantom power and drive a constant voltage of 9V dc to electret, condenser or boundary microphones.

Used in conjunction with Clockaudio open ended microphones this unit offers a discrete housing which can be placed either in a ceiling or under a table away from the actual microphone itself.



This product is fully shielded against radio frequency interference (RFI) from GSM devices operating in the 800 to 1200MHz bandwidth.



CLOCKAUDIO LIMITED
 22 Arnside Road, Waterlooille
 PO7 7UP Hampshire. UK
 Tel : +44 (0)2392 251193 Fax : +44 (0)2392 251201
 Email : sales@clockaudio.co.uk