

## Architects and Engineers Specifications for C003E-RF Boundary Layer Microphones

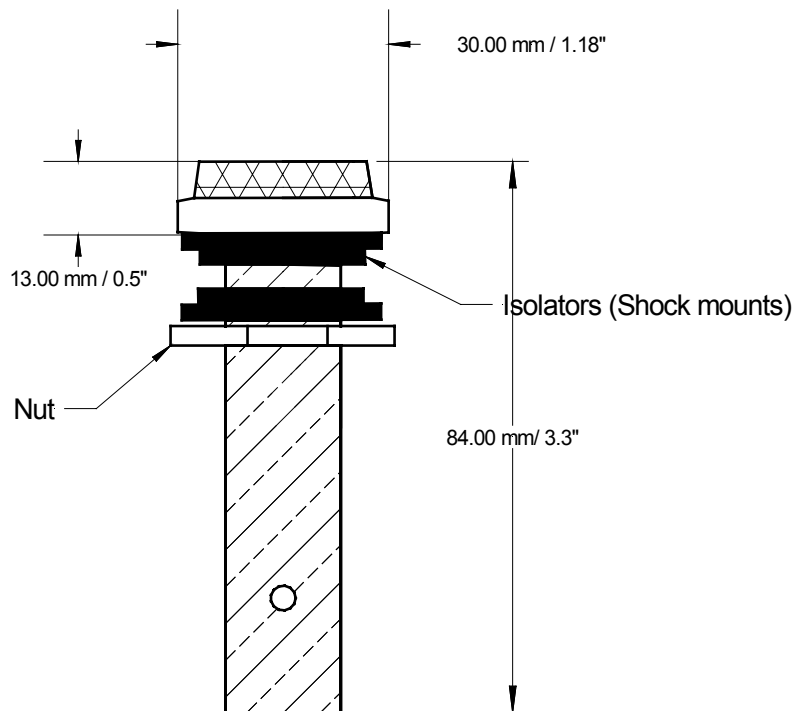
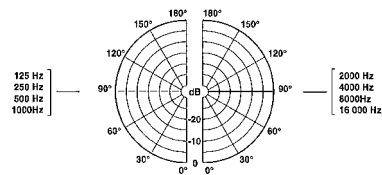
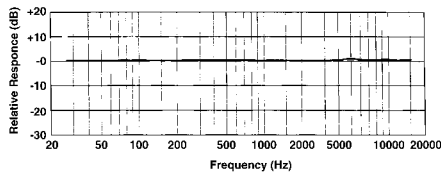
The condenser microphone shall be a through desk/ceiling/panel mount boundary layer type with an omnidirectional polar pattern. The microphone shall have a robust high quality brass construction with low profile steel mesh top. It shall be terminated with a male 3 Pin XLR. The microphone shall be fitted with a Phantom Power Adaptor accepting 9 to 48 volts DC. The Phantom power adaptor shall also include filters, which shall eliminate all GSM frequencies from 800-1200 MHz.

Frequency response 20 Hz to 20 KHz; Sensitivity  $-42\text{dB} \pm 3\text{dB} @ 1\text{KHz}$  ( $0\text{dB}=1\text{V/Pa}$ )  
Impedance 200 Ohms.

Total Harmonic Distortion (THD) at an operating level of 125dB shall be no greater than 1%.

The microphone will have a low reflective black or white finish and also include rubber isolators to minimise the transfer of mechanical noise from table, ceiling or panel.

The microphone shall be a Clockaudio C003E-RF (Black) or C003EW-RF (White).



### PIN CONFIGURATION

**PIN 1 = SCREEN**

**PIN 2 = SIGNAL +**

**PIN 3 = GROUND -**