

Architects and Engineers Specifications for C 004E-RF Boundary Layer microphones

The condenser microphone shall be a through desk/ceiling/panel mount boundary layer type with a cardioid polar pattern. The microphone shall have a robust high quality brass construction with low profile steel mesh top. It shall be terminated with a male 3 Pin XLR. The microphone shall be fitted with a Phantom Power Adaptor accepting 9 to 48 volts DC. The Phantom power adaptor shall also include filters, which shall eliminate all GSM frequencies from 800-1200 MHz.

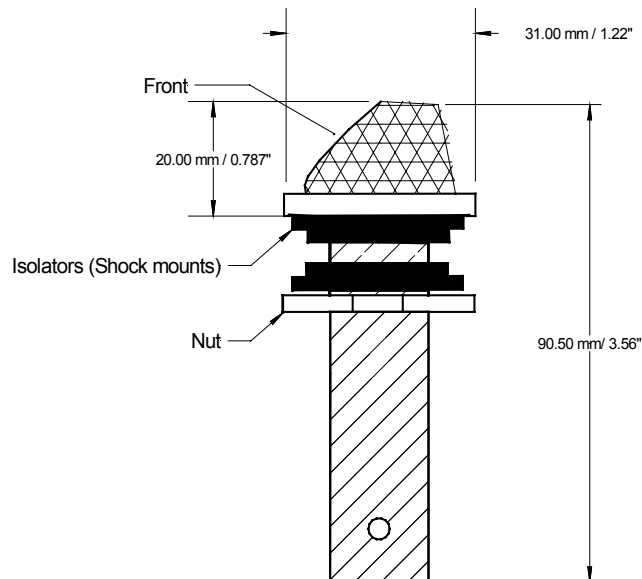
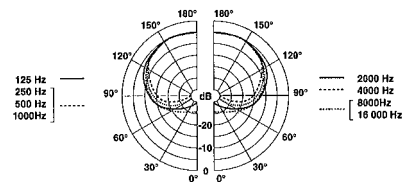
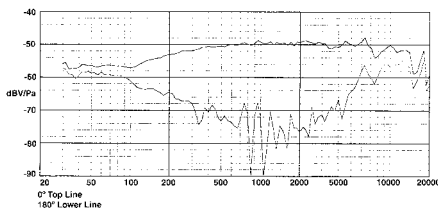
Frequency response 100 Hz to 16 KHz; Sensitivity $-47\text{dB} \pm 3\text{dB} @ 1\text{Khz}$ ($0\text{dB}=1\text{V/Pa}$)

Impedance 200 Ohms

Total harmonic distortion (THD) at an operating level of 125dB shall be no greater than 1%.

The microphone will have a low reflective black or white finish and also include rubber isolators to minimize the transfer of mechanical noise from table, ceiling or panel.

The microphone shall be a Clockaudio C004E-RF (Black) or C004EW-RF (White).



PIN CONFIGURATION

PIN 1 = SCREEN

PIN 2 = SIGNAL +

PIN 3 = GROUND -