

Architects and Engineers Specifications for C008E-RF 'Stingray' Boundary layer Microphone

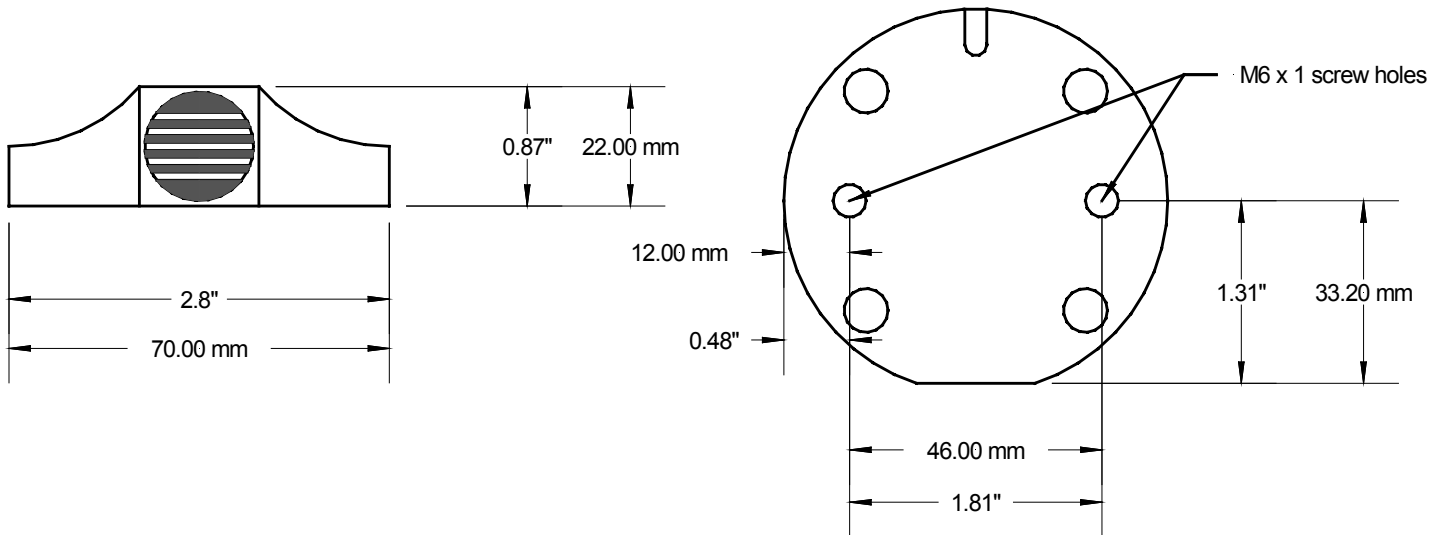
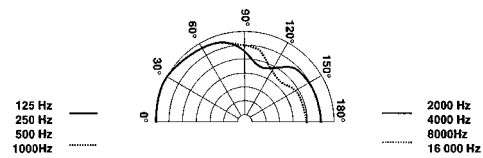
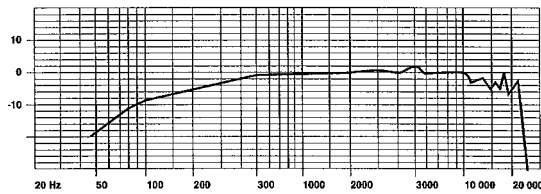
The condenser microphone shall be a boundary layer type, with a half-cardioid polar pattern. The microphone shall be made of solid brass, capable of being mounted permanently with 2 set screws, and include a 10 ft (3 metres) cable terminated with a male 3 Pin XLR. The microphone includes an integral Phantom Power Adaptor that will accept 9 to 48 volts DC. The Phantom power adaptor shall also include filters, which shall eliminate all GSM frequencies from 800-1200 MHz.

Frequency response 50 Hz to 18 KHz; Sensitivity $-48.0\text{dB} \pm 3\text{dB} @ 1\text{KHz}$ ($0\text{dB} = 1\text{V/Pa}$);

Impedance 200 Ohms. Total Harmonic Distortion (THD) at an operating level of 125db shall be no greater than 1%.

The microphone will have a non-reflective Stone Grey Nextel finish.

The microphone shall be a Clockaudio C008E-RF.



PIN CONFIGURATION FOR XLR PLUG

PIN 1 = SCREEN

PIN 2 = SIGNAL +

PIN 3 = GROUND -