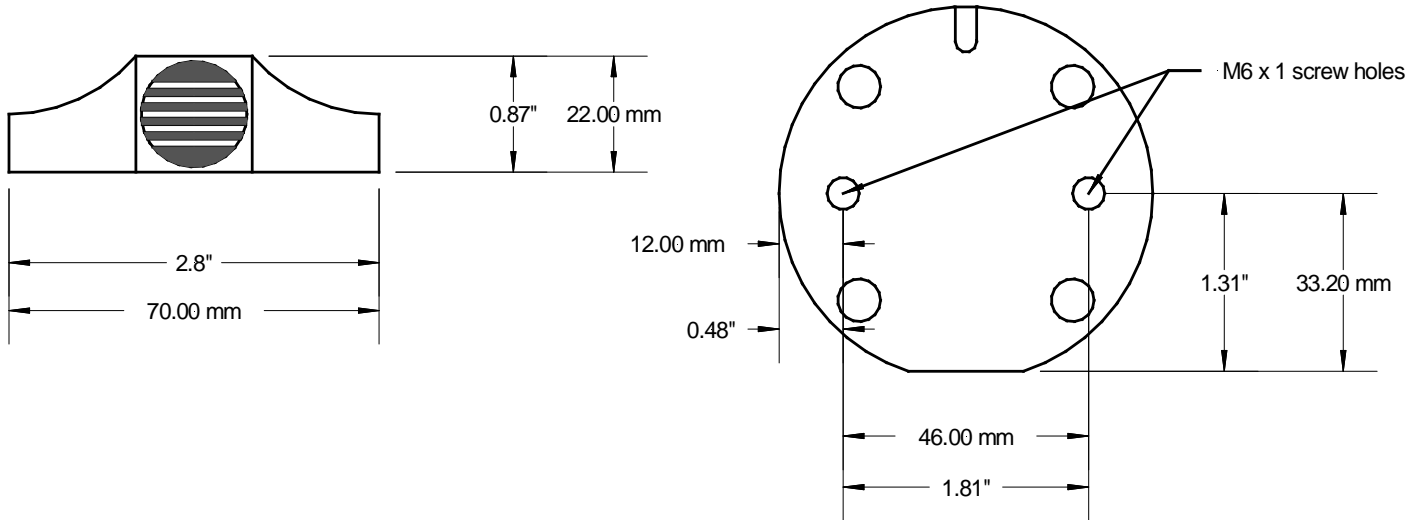
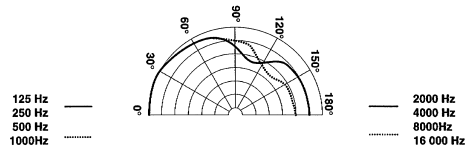
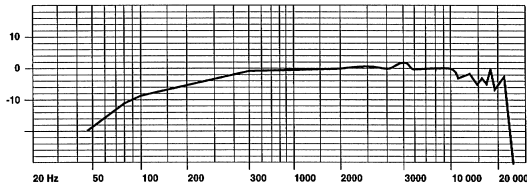


Architects and Engineers Specifications for C008E ‘Stingray’ Boundary layer Microphone

The condenser microphone shall be a boundary layer type, with a half-cardioid polar pattern. The microphone shall be made of solid brass, capable of being mounted permanently with 2 set screws, and include a 10 ft (3 metres) cable terminated with a male 3 Pin XLR. The microphone includes an integral Phantom Power Adaptor that will accept 9 to 48 volts DC. Frequency response 50 Hz to 18 KHz; Sensitivity -48.0dB ± 3dB @ 1Khz (0dB =1V/Pa); Impedance 200 Ohms. Total Harmonic Distortion (THD) at an operating level of 125db shall be no greater than 1%. The microphone will have a non-reflective Stone Grey Nextel finish. The microphone shall be a Clockaudio C008E.



PIN CONFIGURATION FOR XLR PLUG

- PIN 1 = SCREEN**
- PIN 2 = SIGNAL +**
- PIN 3 = GROUND -**