

Architects and Engineers Specifications for C 012E-RF Boundary Layer microphones

The condenser microphone shall be a through desk/ceiling/panel mount boundary layer type with a cardioid polar pattern. The microphone shall have a robust high quality brass construction with a low profile robust brass construction top. It shall be terminated with a male 3 Pin XLR. The microphone shall be powered by 9 to 48 volts phantom power and shall also include filters which shall eliminate all GSM frequencies from 800-1200 MHz.

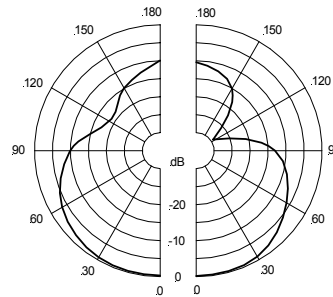
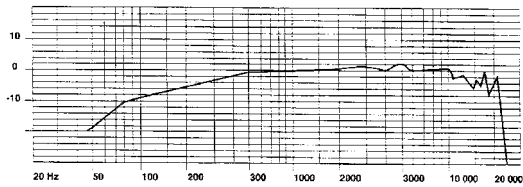
Frequency response 70 Hz to 18 KHz; Sensitivity -47dB ± 3dB @ 1Khz (0dB=1V/Pa)

Impedance 200 Ohms

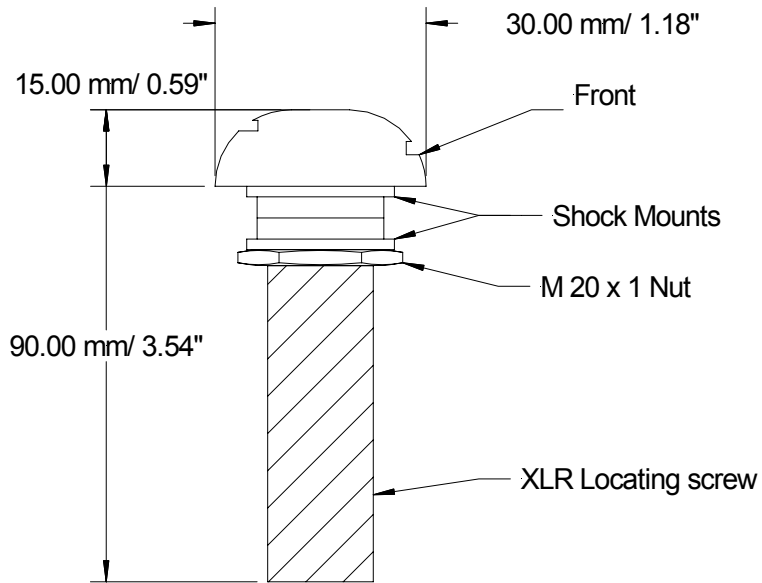
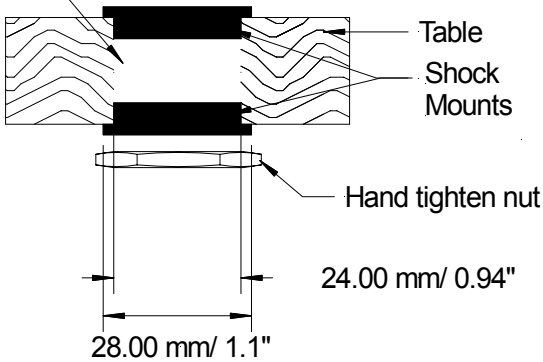
Total harmonic distortion (THD) at an operating level of 125dB shall be no greater than 1%.

The microphone shall have a low reflective satin black or satin nickel finish and also include rubber shock mounts to minimize the transfer of mechanical noise from table, ceiling or panel.

The microphone shall be a Clockaudio C012E-RF (Black) or C012EN-RF (Nickel).



For installation drill a hole 24mm or 0.94" in diameter



PIN CONFIGURATION

PIN 1 = Ground

PIN 2 = Phase +

PIN 3 = Phase -