

**Architects and Engineers Specifications for C31 to C 36E-RF**

The condenser gooseneck microphones shall have a cardioid polar pattern. They shall have a slim line profile design and be made of robust high quality brass using an 8mm fully flexible or semi rigid shaft terminated with a 3 pin male XLR. The microphone shall be fitted with a Phantom Power Adaptor accepting 9 to 48 volts DC. The phantom power adaptor shall also include filters, which shall eliminate all GSM frequencies from 800MHz to 1.2GHz.

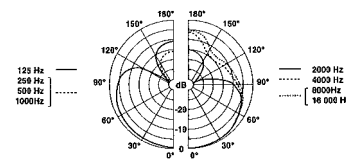
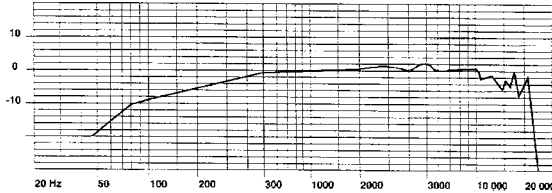
Frequency response 50 Hz - 18 KHz; Sensitivity -47dB ± 3dB @ 1Khz (0dB =1V/Pa)

Total harmonic distortion (THD) at an operating level of 125db shall be no greater than 1%.

Impedance 200 ohms.

The microphone will be available in different lengths (L) and shall have a low reflective satin Black finish.

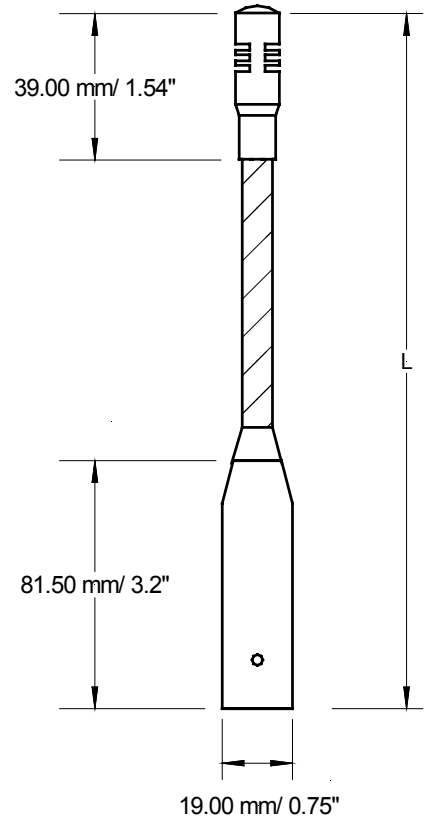
The microphone shall be a Clockaudio C31 to C 36E-RF.



**Product Dimensions**

	Overall Length (L)	Shaft Diameter
C31E-RF	7.1"(180mm)	0.32"(8mm)
C32E-RF	11.0"(280mm)	0.32"(8mm)
C33E-RF	15.0"(380mm)	0.32"(8mm)
C34E-RF	18.9"(480mm)	0.32"(8mm)
C35E-RF	22.9"(580mm)	0.34"(8.5mm)
C36E-RF	26.8"(680mm)	0.34"(8.5mm)

Ø 47"(12mm) Head



**PIN CONFIGURATION**

**PIN 1 = SCREEN**

**PIN 2 = SIGNAL +**

**PIN 3 = GROUND -**