

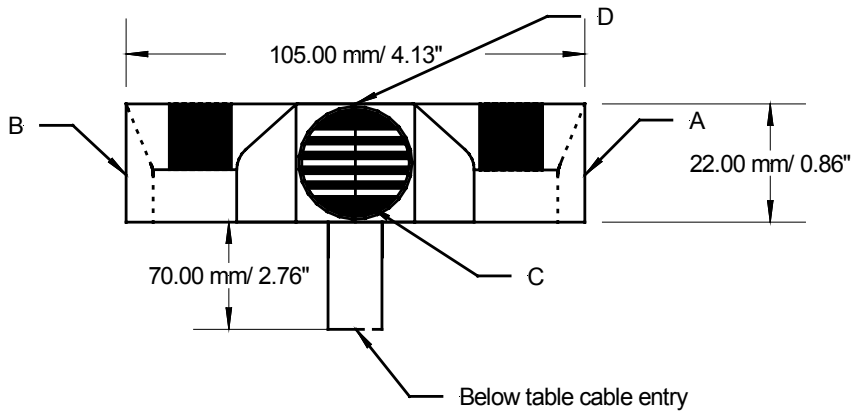
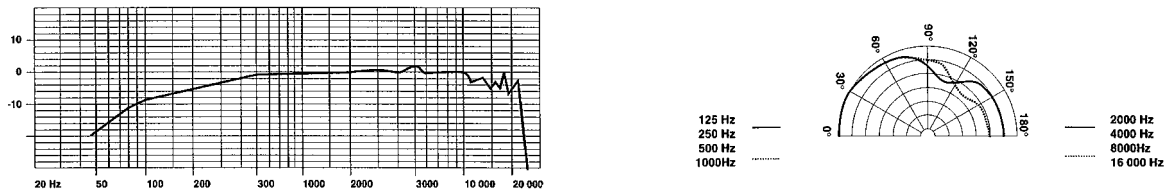
Architects and Engineers Specifications for Consultant Series Microphone CS 4-RF

The condenser microphone shall be a quad element boundary layer type, with a half-cardioid polar pattern. The microphone shall be made from solid brass, capable of being permanently mounted with use of an M 14 x 1 hollow bolt, nut and washer. The microphone shall also include a 6.6 ft (2 metre) cable with open-ended termination. The microphone shall include four integral phantom power adaptors that shall accept 9 to 48 volts DC. The phantom power adaptors shall also include filters, which shall eliminate all GSM frequencies from 800 MHz - 1.2 GHz.

Frequency response: 50Hz to 18KHz; Sensitivity $-48.0\text{dB} \pm 3 \text{ dB @ 1KHz}$ ($0\text{dB} = 1\text{V/Pa}$)
 Impedance 200 ohms. Total harmonic Distortion (THD) at an operating level of 125dB shall be no greater than 1 %.

The microphone shall be available in two finishes: Black Nextel or Satin Nickel.

The microphone shall be a Clockaudio CS 4-RF.



Wiring Configuration:

- | | | | |
|-------|---------|-------|----------|
| Mic A | + Blue | Mic B | + Brown |
| | - White | | - White |
| | Screen | | Screen |
| Mic C | + Green | Mic D | + Orange |
| | - White | | - White |
| | Screen | | Screen |