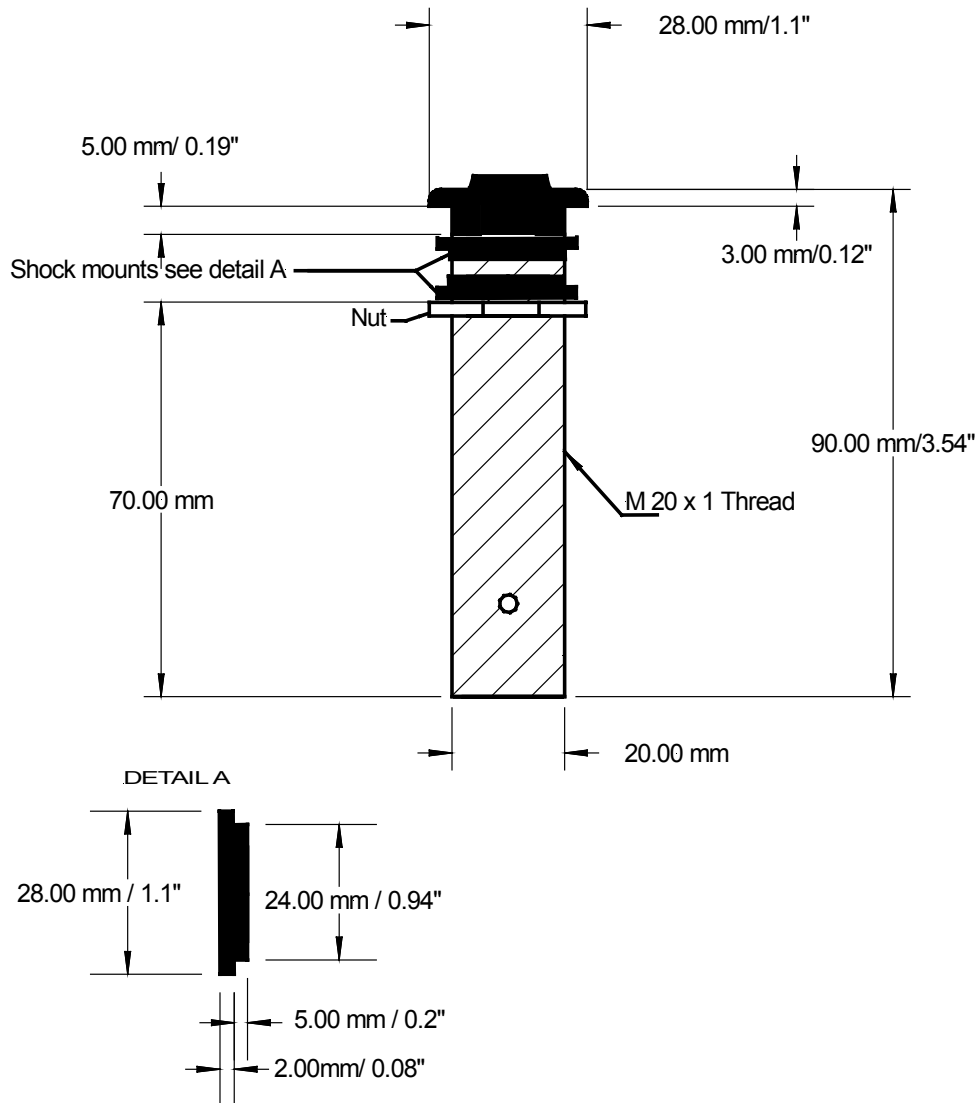


**Architects and Engineers Specifications for Through Table Microphone Shock Mount SM20-RF**

The through table microphone shock mount RF shall have a very low profile design. It shall have a robust all metal construction with a Tini Q male 3 Pin connector. The shock mount unit shall also include two rubber isolators to minimise the transfer of mechanical noise from the table or place of installation. The module shall be fitted with a Phantom Power Adaptor accepting 9 to 48 volts DC and Impedance 200 Ohms. The Phantom power adaptor shall also include filters, which shall eliminate all GSM frequencies from 800-1200 MHz. The shock mount shall be terminated with a male 3 Pin XLR. The finish of the visible top surface shall be Satin Black  
 The through table Shock Mount with RF filters shall be a Clockaudio SM20-RF.



PIN Configuration for Male Tini Q Connector

- PIN 1 Phase -
- PIN 2 Phase +
- PIN 3 Not Used

PIN Configuration for Male XLR Connector

- PIN 1 Screen
- PIN 2 Phase +
- PIN 3 Phase -