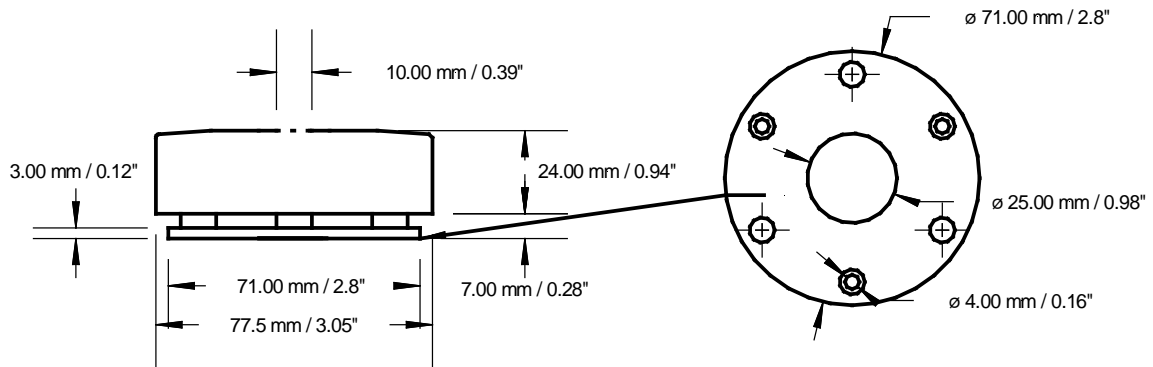
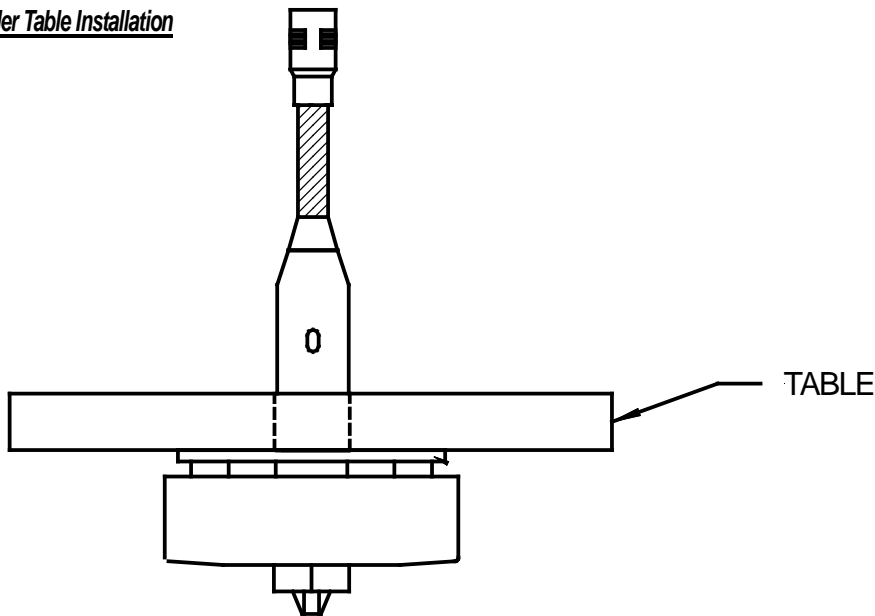


**Architects and Engineers Specifications for Microphone Shock Mount SM 75**

The shock absorbing microphone mount shall be for permanent fixing above or below the surface. It shall have an overall diameter of 75 mm / 2.95" and be supplied with a female XLR and a conversion adaptor for 3/8" BSW or 10 mm screw fittings. The finish of the microphone shock mount shall be satin black. The microphone shock mount shall be a clockaudio SM 75.



**Under Table Installation**



**NOTE: FOR INSTALLATION A HOLE OF 25.4 mm/ 1" IN DIAMETER SHOULD BE DRILLED.**