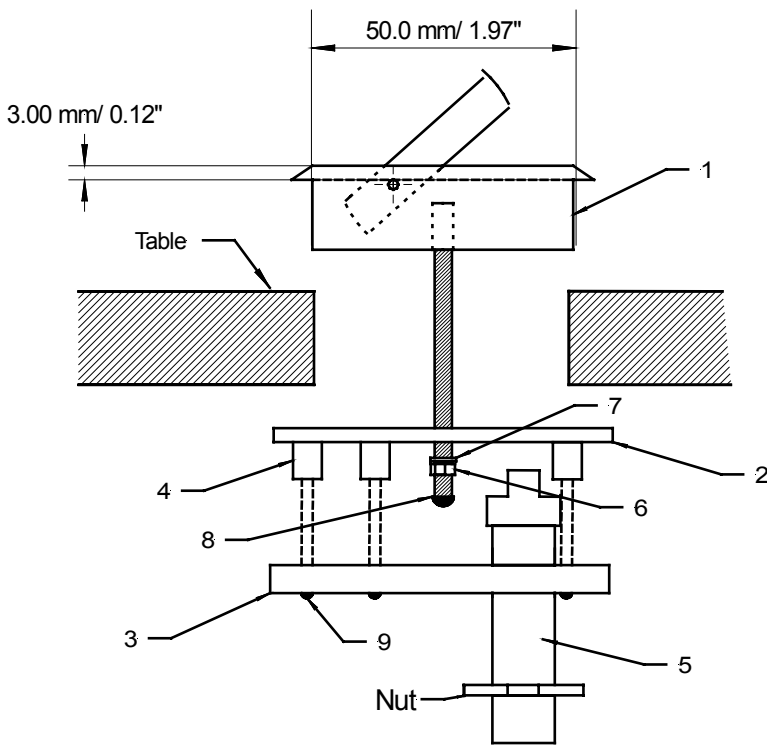


Architects and Engineers Specifications for Microphone Shock Mount SM 80-PPA-RF

The shock absorbing microphone mount shall have an all-metal construction and an overall diameter of 58mm/ 2.28". It shall have a hinged flap to allow the unit to sit almost flush to the table once the microphone has been disconnected allowing the table to be used for other matters. It shall come complete with a dedicated phantom power adaptor designed to power the C 3100 miniature gooseneck microphones terminated with Tini Q 3 pin connectors. The Phantom power adaptor shall accept 9 to 48 volts DC and have impedance of 200 ohms. The phantom power adaptor shall also include filters, which shall eliminate all GSM frequencies from 800-1200 MHz and be terminated with a male 3 pin XLR.

The microphone shock mount shall be available in satin Nickel or Black Nextel finishes.

The through table microphone shock mount shall be a Clockaudio SM 80-PPA-RF.



<i>N u m b e r</i>	<i>D e s c r i p t i o n</i>
1	<i>T o p p l a t e w i t h f l a p</i>
2	<i>B a s e p l a t e u p p e r</i>
3	<i>B a s e p l a t e l o w e r</i>
4	<i>R u b b e r s h o c k m o u n t s</i>
5	<i>P P A - R F</i>
6	<i>N u t</i>
7	<i>S h a k e p r o o f W a s h e r</i>
8	<i>B o l t</i>
9	<i>P a n h e a d s c r e w s</i>

PIN Configuration for Male Tini Q Connector

- PIN 1 Phase -
- PIN 2 Phase +
- PIN 3 Not Used

PIN Configuration for Male XLR Connector

- PIN 1 Screen
- PIN 2 Phase +
- PIN 3 Phase -