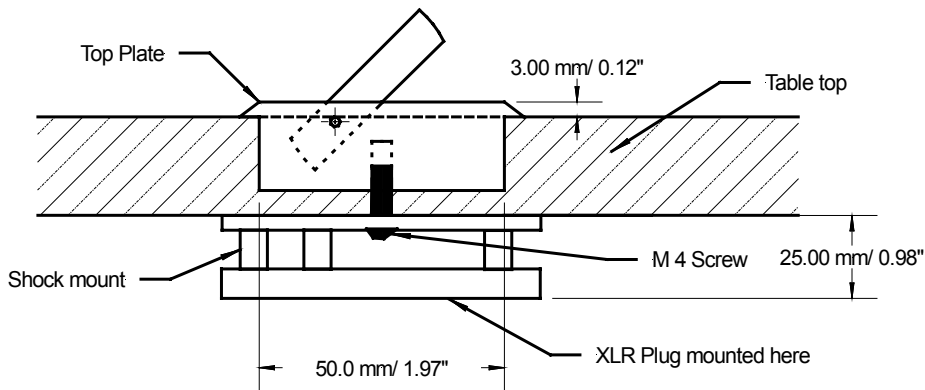


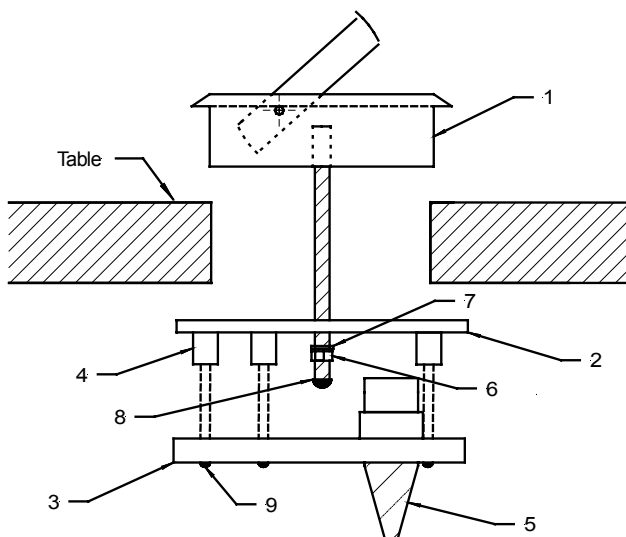
Architects and Engineers Specifications for Microphone Shock Mount SM 80

The shock absorbing microphone mount shall have an all-metal construction and an overall diameter of 58mm/ 2.28". It shall have a hinged flap to allow the unit to sit almost flush to the table once the microphone has been disconnected allowing the table to be used for other matters. It shall come complete with a 3 or 5 pin XLR Connector allowing all Clockaudio "E" version microphones to be used.

The microphone shock mount shall be available in gold, silver and black finishes. The through table microphone shock mount shall be a Clockaudio SM 80.



The SM 80 has been designed for use with tables of a minimum thickness of 15 mm/0.59" and maximum of 35mm/1.38". However the SM 80 can be adjusted to greater thickness's by simply replacing the M 4 screws with longer ones.



<i>Number</i>	<i>Description</i>
1	<i>Top plate with flap</i>
2	<i>Base plate upper</i>
3	<i>Base plate lower</i>
4	<i>Rubber shock mounts</i>
5	<i>Female XLR plug</i>
6	<i>Nut</i>
7	<i>Shakeproof Washer</i>
8	<i>Bolt</i>
9	<i>Pan head screws</i>