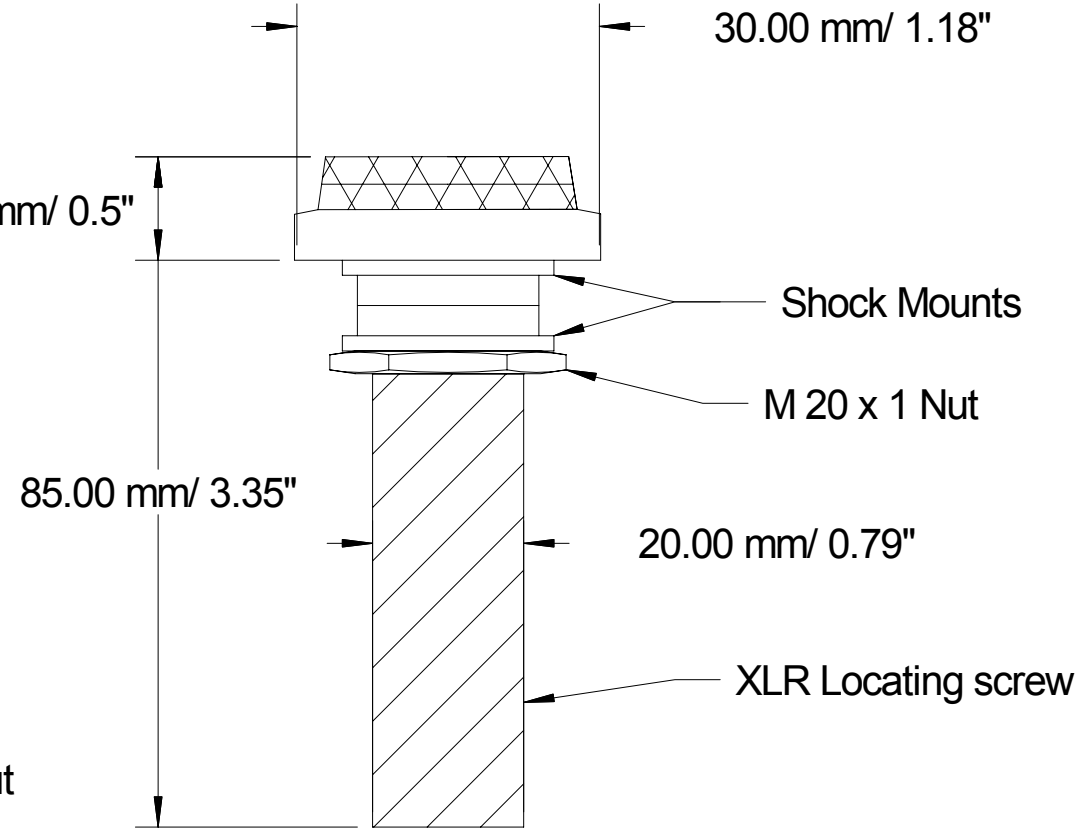
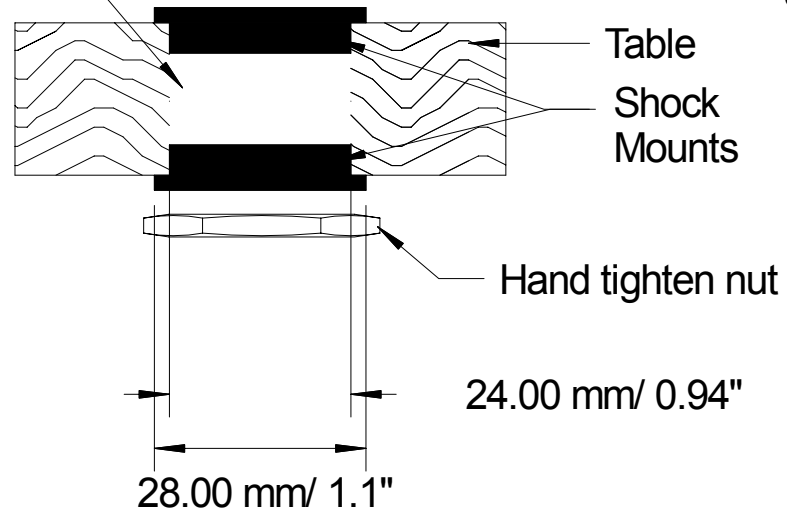


PIN CONFIGURATION FOR C 003E-RF

- PIN 1 Screen
- PIN 2 Signal
- PIN 3 Ground

NOTE: PIN numbers represent XLR termination

For installation drill a hole 24mm or 0.94" in diameter



ISSUE	DESCRIPTION	APP'D	DATE		TITLE	DRAWN	TRACED	CHECKED	APPROVED	DATE	
	Omnidirectional Boundary Layer Microphones				C 003E-RF	C B					10/10/06
	"RF Friendly"					DRAWING No.	490				