

PIN CONFIGURATION FOR C 011E-RF

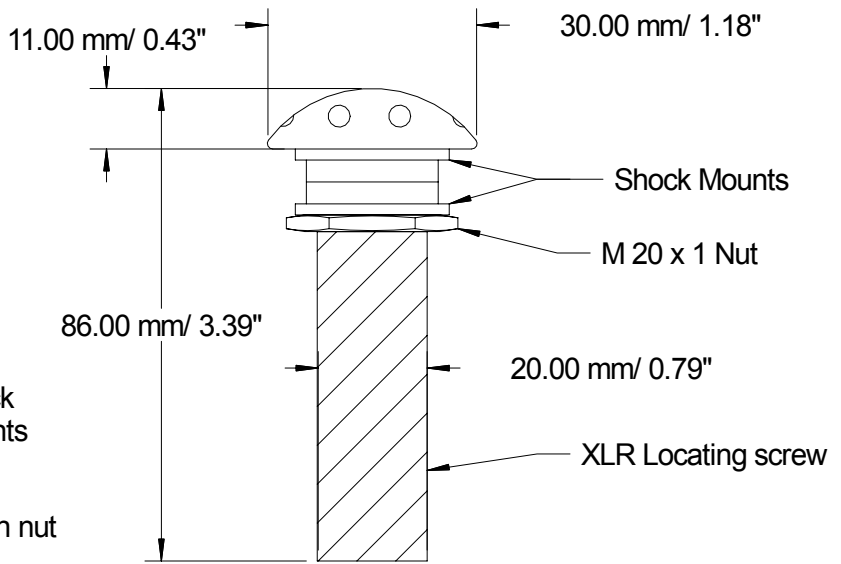
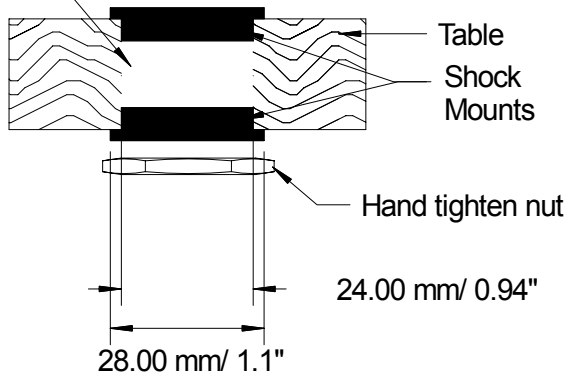
PIN 1 Screen

PIN 2 Signal

PIN 3 Ground

NOTE: PIN numbers represent XLR termination

For installation drill a hole 24mm or 0.94" in diameter



ISSUE	DESCRIPTION	APPD	DATE	TITLE	DRAWN	TRACED	CHECKED	APPROVED	DATE
	C 011-RF (Hummer) Omni Directional microphone with RF filter			CLOCKAUDIO	C B				10/10/06
					DRAWING No. 459				

