

PIN CONFIGURATION FOR C 012E-RF

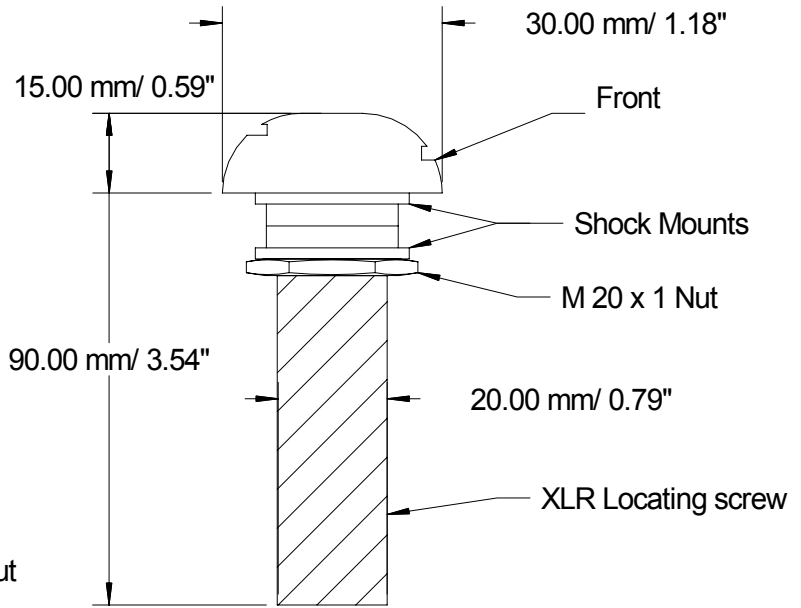
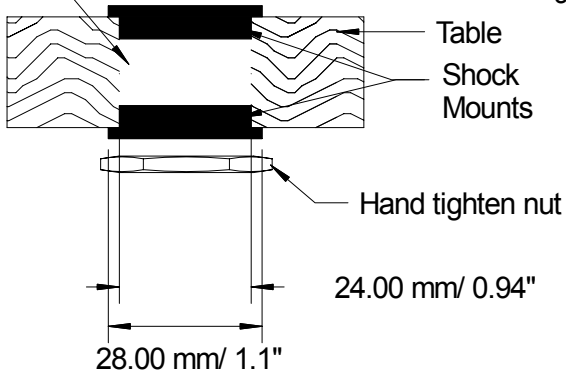
PIN 1 Screen

PIN 2 Signal

PIN 3 Ground

NOTE: PIN numbers represent
XLR termination

For installation drill a hole
24mm or 0.94" in diameter



ISSUE	DESCRIPTION	APPD	DATE	TITLE	DRAWN	TRACED	CHECKED	APPROVED	DATE
	Table mounted cardioid microphone			C 012E-RF	C B				10/10/06
					DRAWING No. 469				

CLOCKAUDIO

