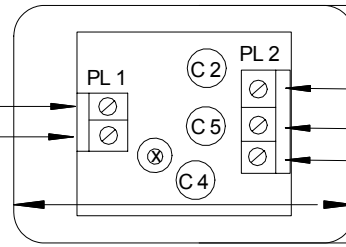


Pin 1 = Microphone Input +ve

Pin 2 = Microphone Input -ve

59.50 mm/2.34"



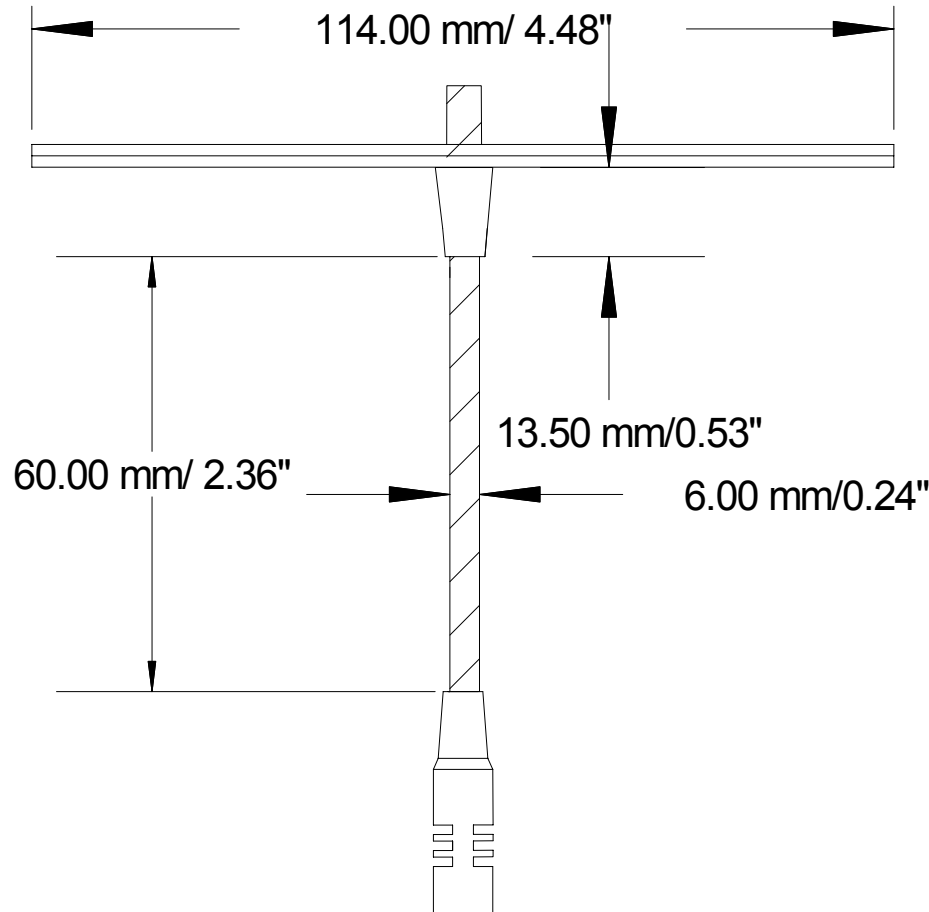
Output Pin 2 = Audio -ve

Output Pin 3 = Audio +ve

Output Pin 1 = Ground

34.50 mm/1.36"

DRG. No. 505



ISSUE	DESCRIPTION	APPD	DATE	TITLE	DRAWN	TRACED	CHECKED	APPROVED	DATE
1	Cardioid Condensor Microphones supplied with ceiling plate and Phantom Power Adaptor			CLOCKAUDIO C 3100CP	C B				14/03/07
					DRAWING No. 505				

