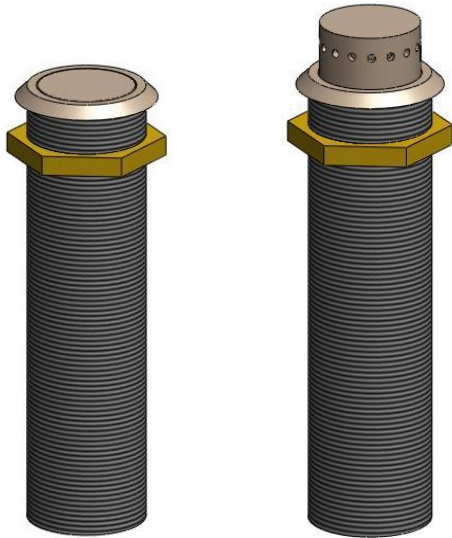


The CRM 100-RF is a boundary layer through table Omni-directional condenser microphone, with a built-in mechanism that will allow the user to make the microphone disappear without having to physically remove it from the table. This is achieved by simply pressing the top of the microphone downwards until it locks; then by pressing the microphone again it will raise itself back to its original position above the surface of the table. Engineered in high quality brass with built in shock mount and RF filter. Standard finish: Black Nextel or Satin Nickel.



- Designed for **remote switching** switch is closed (on) when mic is visible and open (off) once mic is retracted.
- Easy to install
- Low profile at surface level
- Unique ability to lock capsule away from sight when not in use
- Robust brass construction
- Omni-directional polar pattern
- Built in RF filter
- Balanced output
- Supplied with 2m (6.6ft) 2 core + screen cable
- Satin Nickel or Black Nextel finish

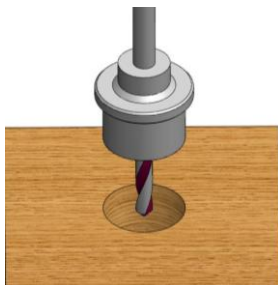


Fig A

Installation guide

- 1) Drill a 30mm (1.18") hole through the table see fig A.
- 2) Remove the nut and fit the CRM 100-RF through the 30mm (1.18") hole see fig B.
- 3) Replace nut and tighten to the underside of the table see fig C.
- 4) Connections: Black 2 core + screen
Red Phase +, White Phase - and screen Ground.

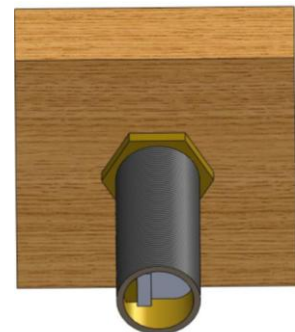


Fig C



Fig B

Grey 2 core + screen cable is used for remote switching, screen is not used. Also note switch is open circuit when the mic is down.

- 5) Ready to go; simply push down on the centre of the CRM 100-RF to raise the microphone. Reverse this action to lock down. See fig D.

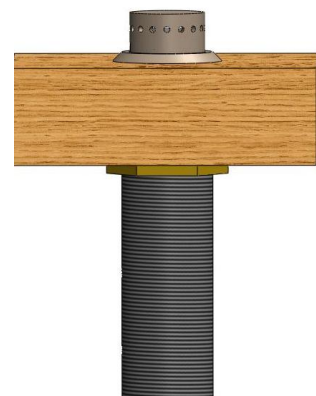


Fig D