

Architects and Engineers Specifications for C011E-RF Boundary Layer Microphones

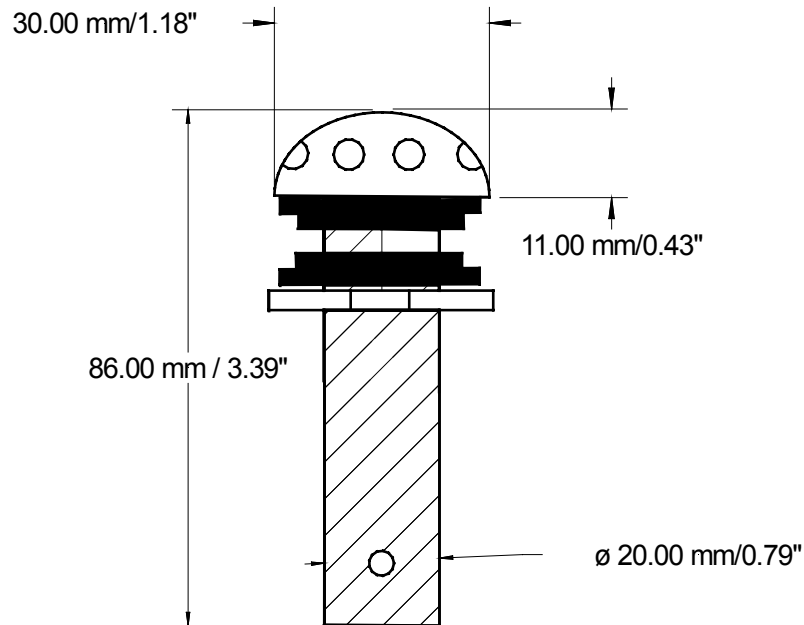
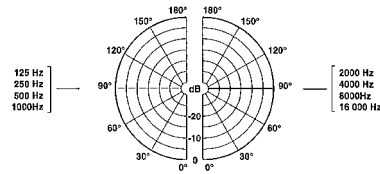
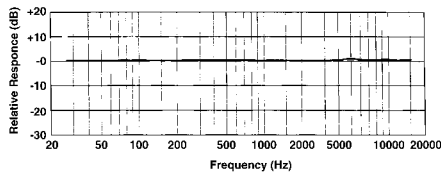
The condenser microphone shall be a through desk/ceiling/panel mount boundary layer type with an omnidirectional polar pattern. The microphone shall have a robust high quality brass construction with low profile brass top. It shall be terminated with a male 3 Pin XLR. The microphone shall be fitted with a Phantom Power Adaptor accepting 9 to 48 volts DC. The Phantom power adaptor shall also include filters, which shall eliminate all GSM frequencies from 800-1200 MHz.

Frequency response 20 Hz to 20 KHz; Sensitivity -42dB \pm 3dB @ 1Khz (0dB=1V/Pa)
Impedance 200 Ohms.

Total Harmonic Distortion (THD) at an operating level of 125dB shall be no greater than 1%.

The microphone shall have a low reflective satin black or satin Nickel finish and also include rubber isolators to minimise the transfer of mechanical noise from table, ceiling or panel.

The microphone shall be a Clockaudio C011E-RF (Black) or C011EN-RF (Nickel).



PIN CONFIGURATION

PIN 1 = SCREEN

PIN 2 = SIGNAL +

PIN 3 = GROUND -