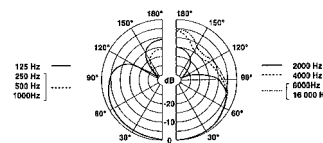
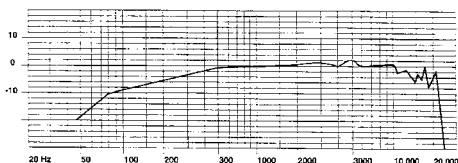


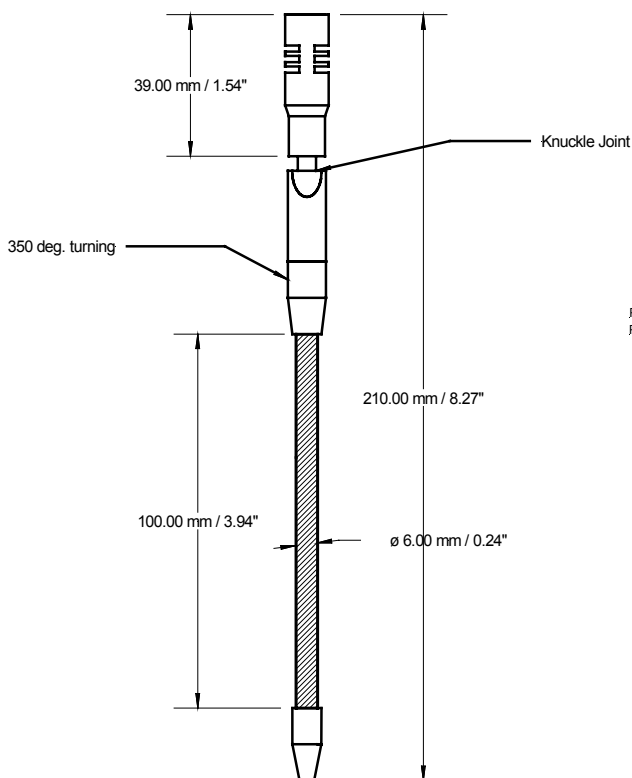
## Architect's and Engineers Specifications for C3SCP Hanging Microphone

### C3SCP

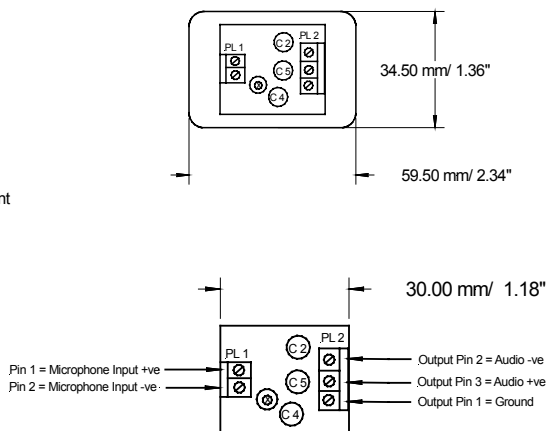
The condenser hanging microphone shall have a cardioid polar pattern, be of robust high quality brass construction and slimline design. It will use a miniature flexible gooseneck and knuckle joint configuration, which will allow the microphone head to rotate almost 90 degrees vertically to facilitate optimum positioning. The microphone shall have a combined suspension and signal cable of 25ft(7.5metres). The microphone shall include a ceiling mount plate (Standard North American single gang size), with a screw terminal Phantom Power Adaptor mounted on it. The Phantom Power Adaptor will accept 9 to 48 volts DC and have an output impedance of 200 Ohms. The microphone Frequency response shall be 50 Hz to 18 KHz; Sensitivity -47dB ± 3dB @ 1Khz (0dB=1V/Pa); Total Harmonic Distortion (THD) at an operating level of 125dB shall be no greater than 1%. The microphone will have a low reflective Satin Black or White finish and include a W2 Windshield. The microphone shall be a Clockaudio C3SCP (Black) or C3SCP (White).



### C 3S



### CPPW 01



### Ceiling Plate

