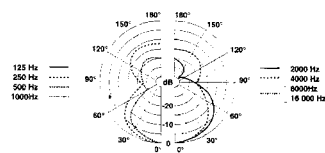
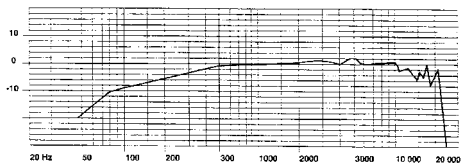


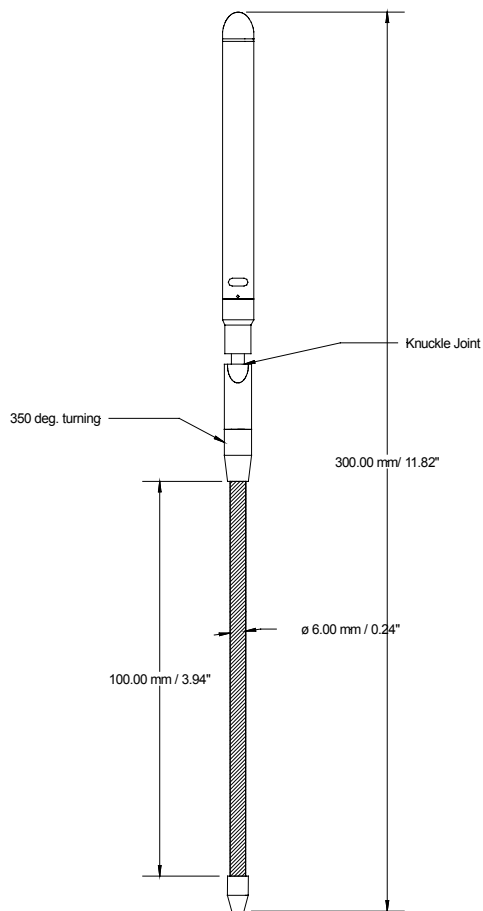
Architect's and Engineers Specifications for C8SCP Hanging Microphone

C8SCP

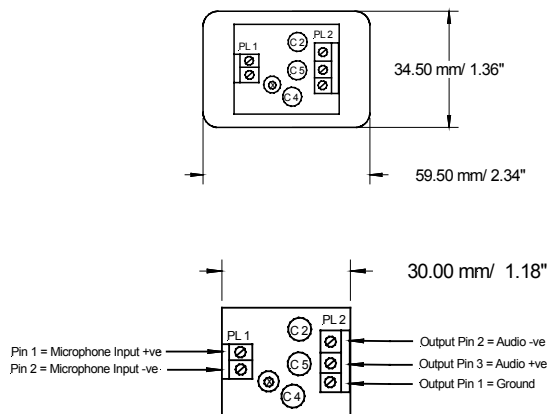
The condenser hanging mini shotgun microphone shall have a hypercardioid polar pattern, be of robust high quality brass construction and slimline design. It will use a miniature flexible gooseneck and knuckle joint configuration, which will allow the microphone head to rotate almost 90 degrees vertically to facilitate optimum positioning. The microphone shall have a combined suspension and signal cable of 25ft(7.5metres). The microphone shall include a ceiling mount plate (Standard North American single gang size), with a screw terminal Phantom Power Adaptor mounted on it. The Phantom Power Adaptor will accept 9 to 48 volts DC and have an output impedance of 200 Ohms. The microphone Frequency response shall be 50 Hz to 18 KHz; Sensitivity $-47\text{dB} \pm 3\text{dB} @ 1\text{KHz}$ ($0\text{dB} = 1\text{V/Pa}$); Total Harmonic Distortion (THD) at an operating level of 125dB shall be no greater than 1%. The microphone will have a low reflective Satin Black or White finish and include a W8 Windshield. The microphone shall be a Clockaudio C8SCP (Black) or a C8SCP (White).



C 8SE



CPPW 01



Ceiling Plate

