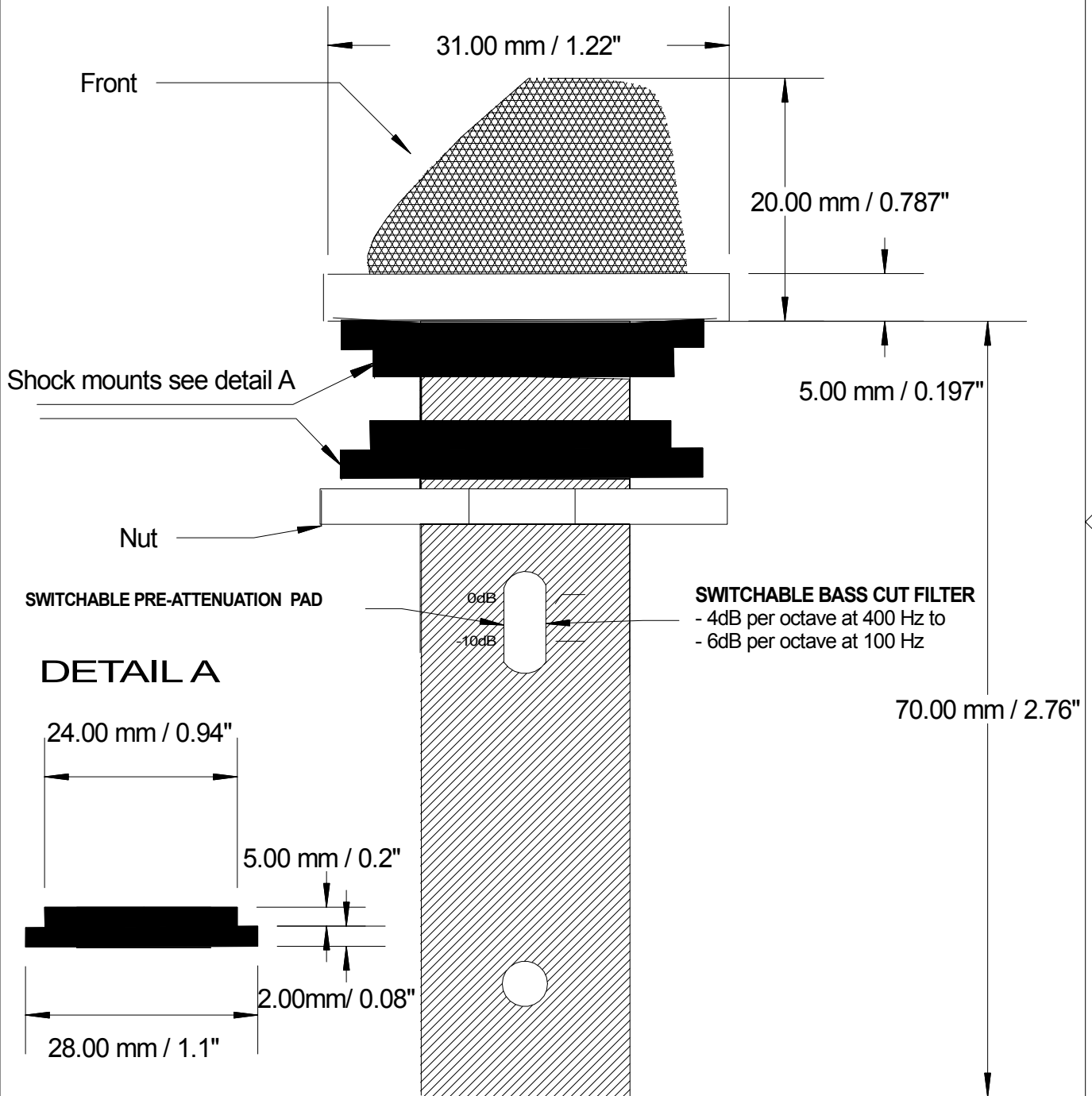


For Installation drill hole 24.0 mm or 0.94" Diameter



<b>CLOCKAUDIO</b>		Issue Number	Drawn By	C. B
Part name	C 004E	Scale NOT TO SCALE	Checked by	Drawing Number





