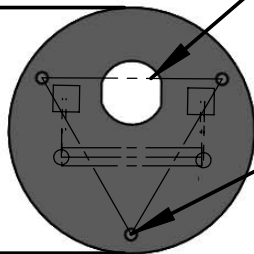


LED
 $\phi 58 / 2.28"$

Latching or PTT Switch



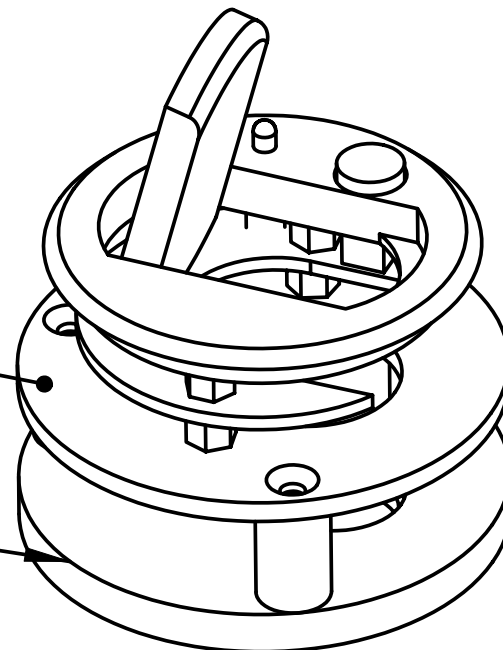
XLR or PPA-RF Housing

M 3 Pan head screws

$\phi 65 / 2.56"$

Top Plate

Bottom Plate

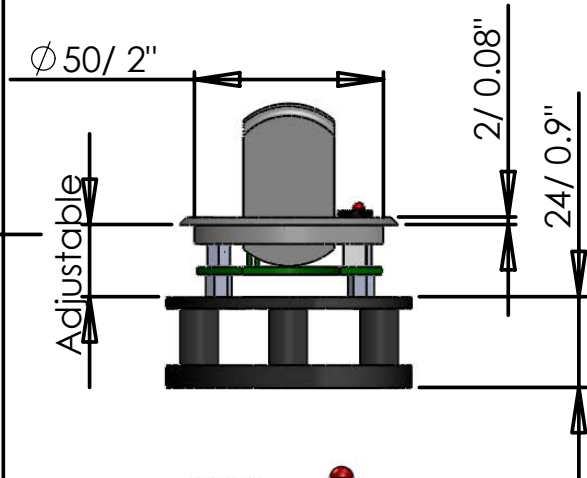


Installation:

- 1) Pre-drill 50mm / 2" Hole
- 2) Remove 3 x M 3 pan head screws and bottom plate.
- 3) Remove 2 x M 3 x 30 screws (with nut and washer) and top plate
- 4) Place SM 80S into pre-drilled hole.
- 5) Replace top plate and M 3 x 30 screws.
- 6) Tighten nut and washer to clamp top plate to the underside of the pre-drilled hole.
- 7) Replace bottom plate and 3 x M 3 pan head screws.

Wiring Details:

- Orange Wire-----Audio + (PTM option)
- Red Wire-----Audio + (PTT option)
- Blue Wire-----Audio -
- Brown Wire-----LED +
- Black Wire-----LED -

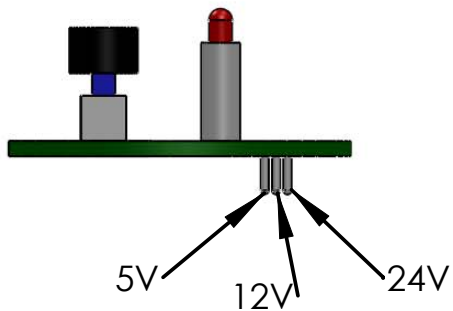


$\phi 50 / 2"$

2 / 0.08"

24 / 0.9"

Adjustable



5V

12V

24V

CLOCKAUDIO®

	NAME	SIGNATURE	DATE	LED Specifications
DRAWN	C B		13/10/08	LED If (Max) 30mA
CHK'D	J H		13/10/08	Jumpers allow 5, 12 or 24V dc supply
APPV'D	J H		13/10/08	
UNLESS OTHERWISE SPECIFIED: DIMENSIONS ARE IN MILLIMETERS		FINISH:		MATERIAL:
DEBUR AND BREAK SHARP EDGES.		Black nextel or satin Nickel		Brass

TITLE:

SM 80S

DWG NO.

627

WEIGHT:

DO NOT SCALE DRAWING

SHEET 1 OF 1